

## TYPE SD LCD MODULE DISPLAY

### BRIGHT AND GOOD VISIBILITY

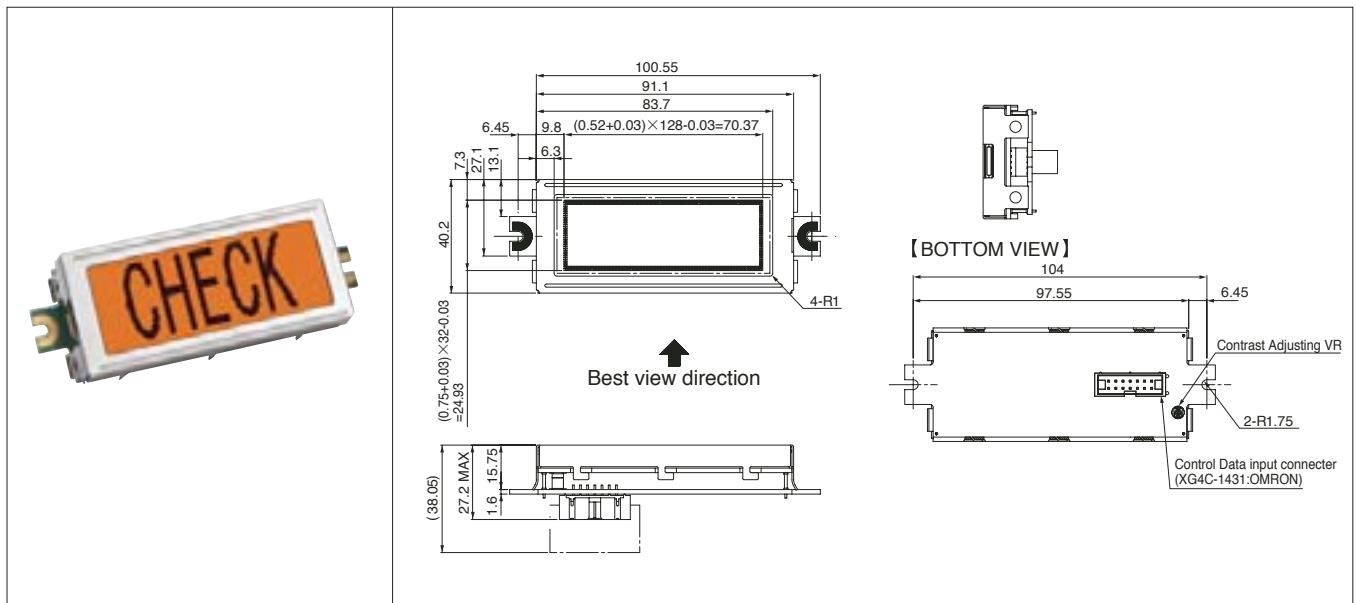
- MULTI-COLOR (Red/Green/Blue) & DUAL COLOR (Red/Green) (Orange/Green) type provided for backlight LED.
- Reasonable display size(70.37×29.43mm)
- Easy to control with Serial Data Transfer



### SPECIFICATIONS

Item	LCD Module Display
Method of Display	STN monochrome positive semi-transparent type
Dot quantity	128 × 32 dots
Active area	70.37 × 24.93
Viewing area	80.4 × 28.9
Backlight LED	Multi-color (R/G/B), Dual-color (R/G) (O/G)
Interface	Serial Data Transfer
Ambient Temperature	0°C ~ 40°C
Ambient Humidity	20% ~ 85% RH
Power Supply Voltage	DC 5V, ±5%

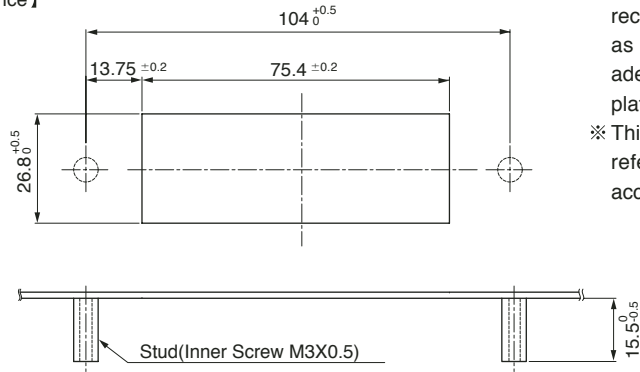
### DIMENSIONS



Tolerance : ±0.4mm

PANEL MOUNTING & PANEL CUT DIMENSIONS

【Panel Cut Dimensions for reference】

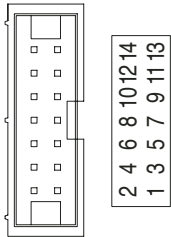


※ For the purpose of protecting LCD panel, it is recommended to provide protecting panel such as clear acryl plate. It is needed to give a adequate space between panel surface and plate to avoid supress LCD.

※ This panel mounting method is just for your reference. You can adjust mounting method according to your situation.

Tolerance : ±0.4mm

TERMINAL LAYOUT/ TERMINAL FUNCTION TABLE



Terminal No.	Signal	Description	Function
1	VDD	+5V	⊕ Power Supply (5V)
2	VSS	GND	Ground (0V)
3	DI	TTL	Data
4	FLM	TTL	Scan Start Pulse
5	LOAD	TTL	Data Latch Signal
6	CP	TTL	Data Input Signal
7	L1	LED1 Control Signal	Backlight LED Control Signal Multi Color L1 : Red L2 : Green L3 : Blue Dual Color (R/G) Red Green Dual Color (O/G) Orange Green
8	L2	LED2 Control Signal	
9	L3	LED3 Control Signal	
10	NC	—	—
11	NC	—	—
12	NC	—	—
13	NC	—	—
14	FG	—	Frame Ground

CONNECTER:  
OMRON XG4C-1431

※ Please inquiry us about detail manuals.

ORDERING CODE

