

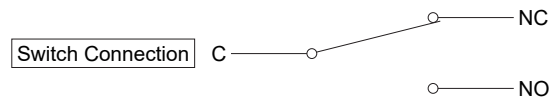
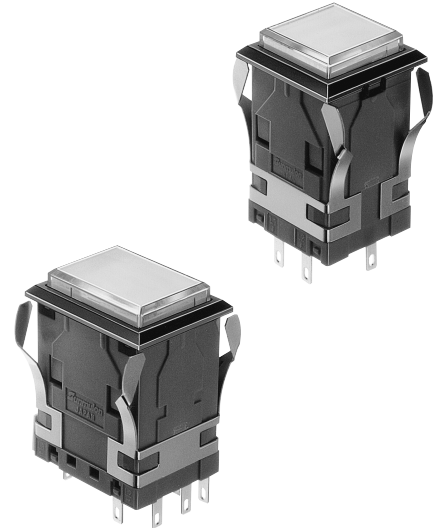
WH Illuminated Pushbutton Switch

Only 35mm depth behind panel with built-in resistor

Reliable Push-Feeling and variable illumination
Full-Face, Split-Face(2, 3, 4).

■ FEATURES

- Depth behind panel : Only 35mm
- LED Full-Face, Split-Face(2, 3, 4) Illumination available.
- Built-in resistor for 5V, 12V, 24V use.
- Light Cartridge is removable from front panel.
- Button Size: 19mm square type, 19×26mm rectangular type.
- Precision-snap action switch movement with coil spring assures long life and outstanding tactile feedback.
- Silver Contact(Gold-Plated) and Cross-bar Contact provided.
- Accessories: Barriers, Guard Cover, Dust-Proof Cover, etc.



Note : UL certification has been obtained for the Switch unit (LIGHT CARTRIDGE with HOUSING).

SPECIFICATIONS

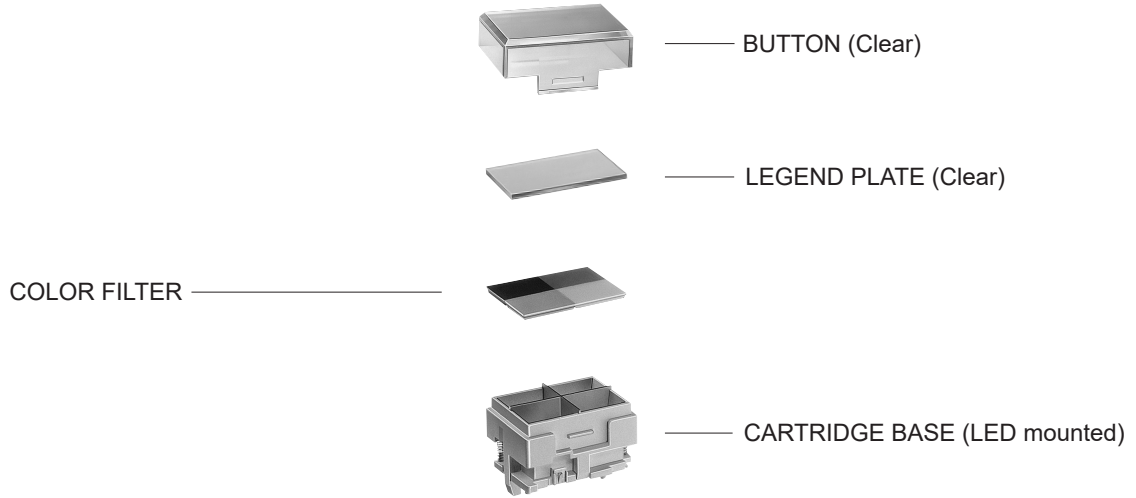
Contact	Silver Contact	Cross-bar Contact
Electrical Rating	AC125V, 250V 5A (Resistive)	AC125V 0.1A, DC30V 0.1A(Resistive)
Insulation Resistance	More than 100MΩ at 500V DC	
Dielectric Strength	1000V AC RMS between NC and NO terminal 2000V AC RMS between terminals and ground 50/60Hz for 60sec. At normal ambient temperature and humidity	600V AC RMS between NC and NO terminal 2000V AC RMS between terminals and ground 50/60Hz for 60sec. At normal ambient temperature and humidity
Contact Resistance	Less than 30mΩ (Initial) at DC6V 1A	Less than 50mΩ (Initial) at DC6V 1A
Mechanical Life	Momentary Action : more then 1,000,000 operations	Alternate Action : more than 200,000 operations
Electrical Life	More than 50,000 operations at max. rated load	More than 100,000 operations at max. rated load
Ambient Temperature	-15°C ~ 50°C	
Ambient Humidity	80% RH (max.)	

OPERATING CHARACTERISTICS

Operating Force (MAX)	8.33N	Total Travel (mm MAX)	3.2
-----------------------	-------	-----------------------	-----

STRUCTURE


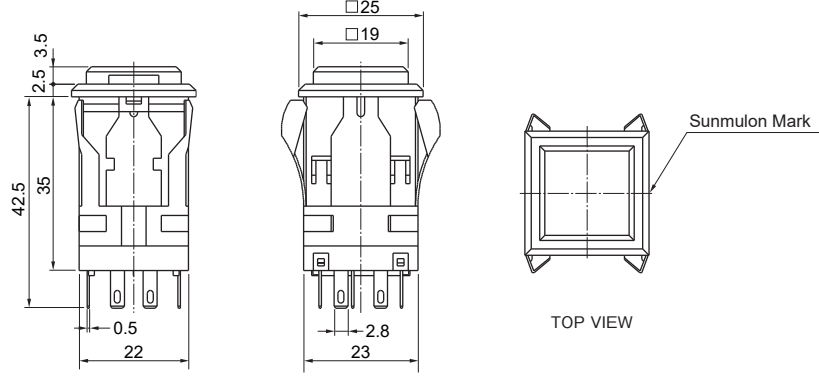
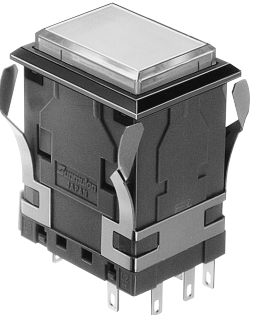
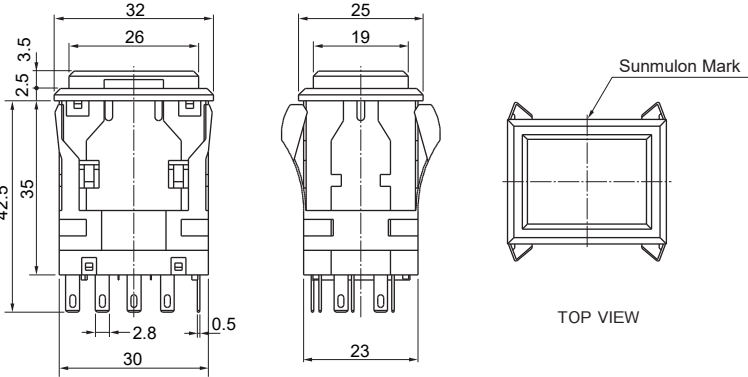
LIGHT CARTRIDGE



HOUSING



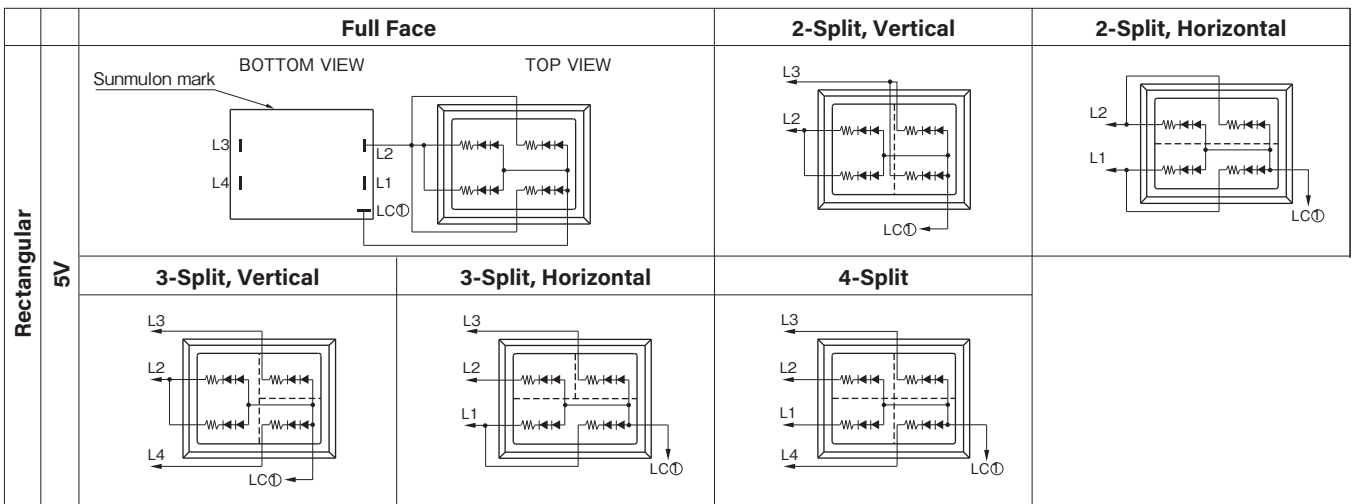
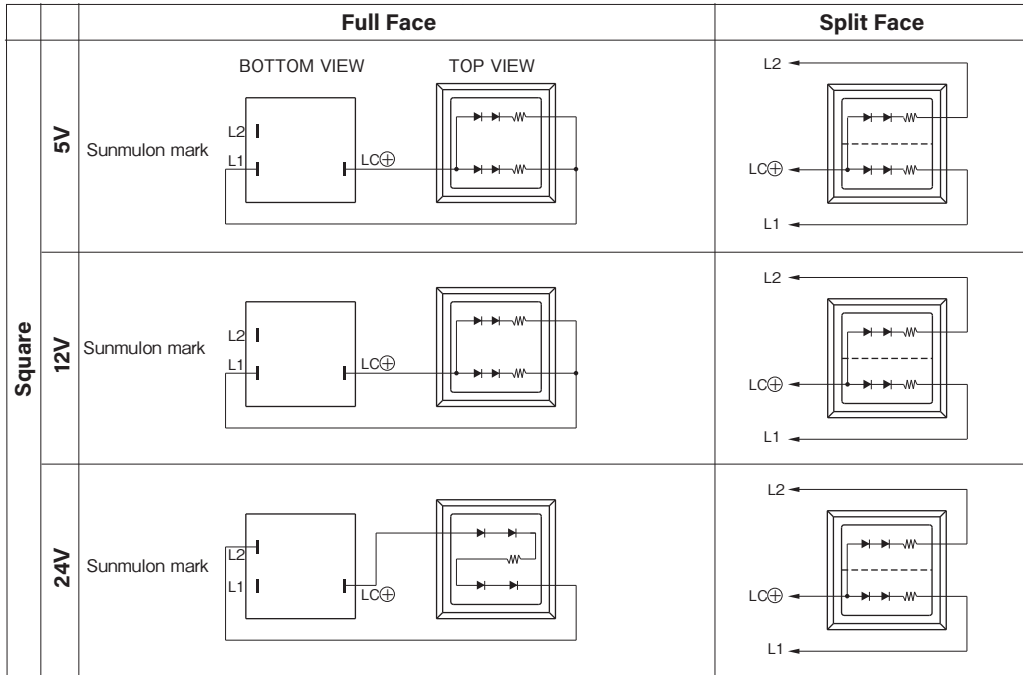
DIMENSIONS

<p style="writing-mode: vertical-rl; transform: rotate(180deg);">19mm Square Button</p> 	 <p>Technical drawings for the 19mm square button showing dimensions and Sunmulon Mark.</p>
<p style="writing-mode: vertical-rl; transform: rotate(180deg);">19×26mm Rectangular Button</p> 	 <p>Technical drawings for the 19×26mm rectangular button showing dimensions and Sunmulon Mark.</p>

Tolerance : ±0.4mm

INTERNAL CONNECTION ARRANGEMENTS

● LED ILLUMINATION



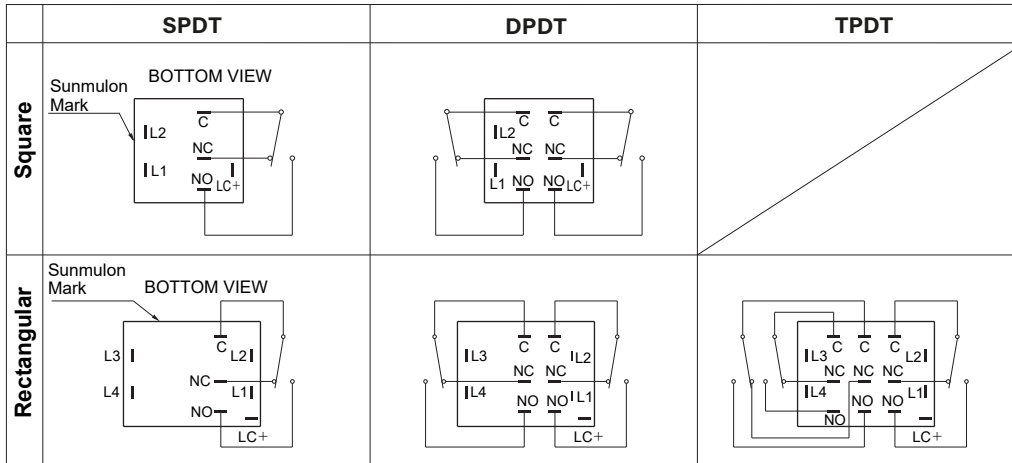
INTERNAL CONNECTION ARRANGEMENTS

● LED ILLUMINATION

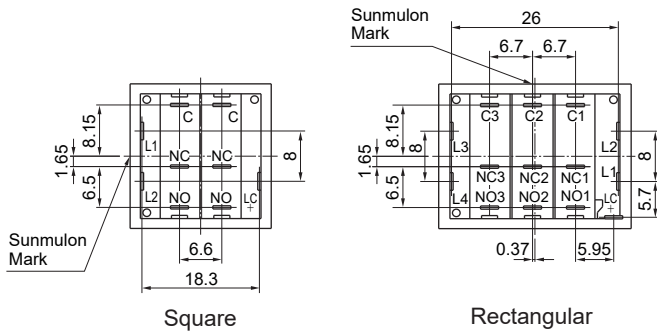
Rectangular	12V	Full Face		2-Split, Vertical	2-Split, Horizontal
		3-Split, Vertical	3-Split, Horizontal	4-Split	
	24V	Full Face		2-Split, Vertical	2-Split, Horizontal
		3-Split, Vertical	3-Split, Horizontal	4-Split	

TERMINALS

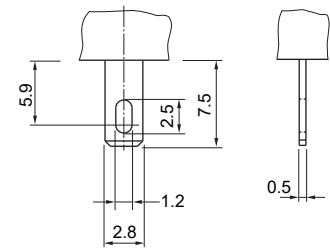
TERMINALS LAYOUT



TERMINALS DIMENSIONS (BOTTOM VIEW)



TERMINAL SHAPE



#110 TAB-Soldering Terminal

LED DATA

LED RATINGS

		Current Rating (mA)																	
Type		Full Face		2-split Face				3-split Face				4-split Face							
		1	1	1	2	1	2	1	2	1	2	3	1	2	3	1	2	3	4
5V	Red	8	16	4	4	8	8	8	8	8	4	4	4	4	8	4	4	4	4
	Green	16	32	8	8	16	16	16	16	16	8	8	8	8	16	8	8	8	8
	Yellow	12	24	6	6	12	12	12	12	12	6	6	6	6	12	6	6	6	6
12V	Red	8	8	4	4	8	8	4	4	8	4	4	4	4	8	4	4	4	4
	Green	16	16	8	8	16	16	8	8	16	8	8	8	8	16	8	8	8	8
	Yellow	12	12	6	6	12	12	6	6	12	6	6	6	6	12	6	6	6	6
24V	Red	4	4	4	4	8	8	4	4	8	4	4	4	4	8	4	4	4	4
	Green	8	8	8	8	16	16	8	8	16	8	8	8	8	16	8	8	8	8
	Yellow	6	6	6	6	12	12	6	6	12	6	6	6	6	12	6	6	6	6

* 2,3 or 4 split-face : Simultaneous lighting is possible except all green LED type with 12V or 24V.

Tolerance : $\pm 0.4\text{mm}$

PANEL LAYOUT / PANEL CUT DIMENSIONS

● 19mm Square Button Type

Panel Thickness 1mm~5mm

		Panel Layout	Panel Cut Dimensions
Without Barriers	Independent		
	Serial		
With Barriers	Independent		
	Serial		

※ Vertical Serial Mounting is impossible for 19mm Square Button type.

● 19×26mm Rectangular Button

		Panel Layout	Panel Cut Dimensions
Without Barriers	Independent (Vertical)		
	Serial (Vertical)		
	Independent (Horizontal)		
	Serial (Horizontal)		

※ In case of Serial (Vertical) mounting, please add 011 suffix to ordering code of switch.

※ Panel Cut Dimension should be after panel paintings.

n : number of switches
Tolerance : ±0.4mm

PANEL LAYOUT / PANEL CUT DIMENSIONS

● 19×26mm Rectangular Button Type

Panel Thickness 1mm~5mm

		Panel Layout	Panel Cut Dimensions
With Barriers	Independent (Vertical)		
	Serial (Vertical)		※ In case of Serial (Vertical) mounting, please add 011 suffix to ordering code of switch.
	Independent (Horizontal)		
	Serial (Horizontal)		

n : number of switches

● In case of block mounting, leave space between arrays as a figure.

Square	Square, with barriers	Rectangular	Rectangular, with barriers

※ more than 6mm : In case of Serial (Vertical) mounting.

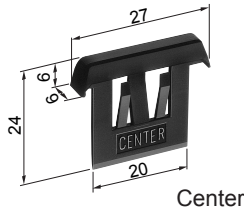
Tolerance : ±0.4mm

ACCESSORIES

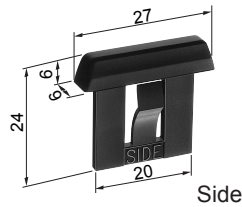
BARRIERS (Square/Rect.)

In case of mounting switches in series, Barriers can be used to prevent inadvertent pushing neighbor switch.

● Short Barrier

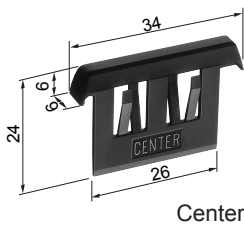


Center

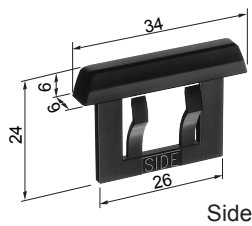


Side

● Long Barrier (For Rectangular long side)



Center



Side

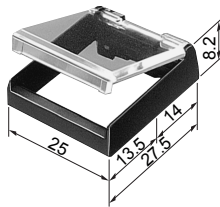
PART NO.		
Short Barrier		
	Center Barrier	Side Barrier
Black	WH-0738-K	WH-0739-K
Gray	WH-0738-G	WH-0739-G

PART NO.		
Long Barrier		
	Center Barrier	Side Barrier
Black	WH-0741-K	WH-0740-K
Gray	WH-0741-G	WH-0740-G

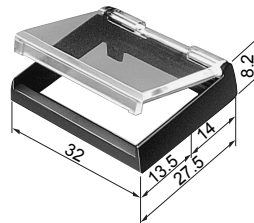
GUARD COVER (Square/Rect.)

Guard Cover prevents inadvertent and unintentional operations. It is impossible to use with Barriers.

● 19mm Square



● 19×26mm Rectangular

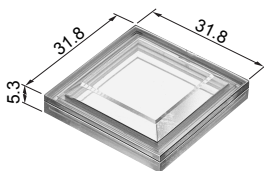


PART NO.		
	Square	Rectangular
Black	WH-0781-K	WH-0782-K
Gray	WH-0781-G	WH-0782-G

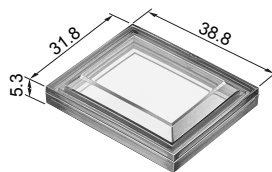
※ The cover opens 90° and returns by spring force. In case of serial mounting (horizontal mounting only), panel cut dimension to be same as "without barriers".
 ※ In case of Guard Cover use, please select type of "without frange".

Dust-Proof Cover (Square/Rect.)

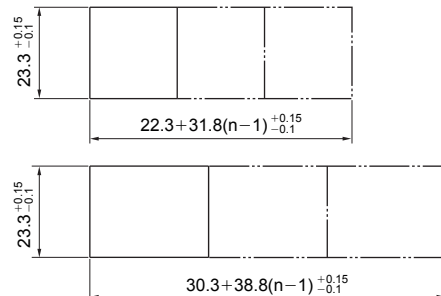
● 19mm Square



● 19×26mm Rectangular



● Panel Cut Dimensions

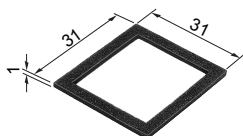


n : number of switches
 Panel Thickness 1mm~4.5mm

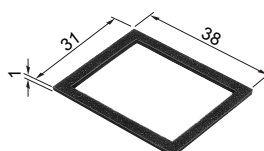
※ In case of Oil&Water-Proof usage (IP63), please also use Rubber Packing sheet.

Rubber Packing sheet

● 19mm Square



● 19X26mm Rectangular



PART NO.		
	Square	Rectangular
Dust-Proof Cover	WH-0783	WH-0784
Rubber Packing	WH-0767	WH-0768

Tolerance : ±0.4mm

REPLACEMENT PARTS

● FILTER

19mm Square



Square Full Face



Split Face

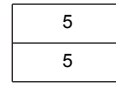
19 26mm Rectangular



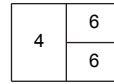
Rectangular Full Face



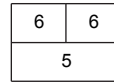
2-Split (V)



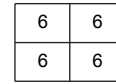
2-Split (H)



3-Split (V)



3-Split (H)



4-Split

※ Please refer No. of figures and following chart.

No	1	2	3	4	5	6
Type	Square Full Face	Split Face	Rectangular Full Face	2-Split (V)	2-Split (H)	4-Split
Red	WH-0705-R	WH-0713-R	WH-0706-R	WH-0715-R	WH-0714-R	WH-0716-R
Green	WH-0705-G	WH-0713-G	WH-0706-G	WH-0715-G	WH-0714-G	WH-0716-G
Yellow	WH-0705-Y	WH-0713-Y	WH-0706-Y	WH-0715-Y	WH-0714-Y	WH-0716-Y
Milky-White	WH-0705-M	WH-0713-M	WH-0706-M	WH-0715-M	WH-0714-M	WH-0716-M

ORDERING CODE

Ordering as a Set ([Light Cartridge] + [Housing])

WH - **1 2 3 4** **C** **1 2 3 4** **P**

● OPERATION

M	Momentary
A	Alternate

● CONTACT

1	SPDT Silver	(Rectangular Only)
2	DPDT Silver	
5	SPDT Crossbar	
6	DPDT Crossbar	
7	TPDT Silver	(Rectangular Only)
9	TPDT Crossbar	(Rectangular Only)

● BUTTON SHAPE-ILLUMINATION TYPE

S0	Square Full Face
W0	Rect. Full Face
S2	Square 2-Split Face
W1	Rect. 2-Split Face (Vert.)
W2	Rect. 2-Split Face (Horiz.)
W5	Rect. 3-Split Face (Vert.)
W6	Rect. 3-Split Face (Horiz.)
W7	Rect. 4-Split Face

2,3 or 4 split-face:
Simultaneous lighting is possible except all green LED type with 12V or 24V.

● Supply Voltage to LED

1	5V Built-in Resistor
2	12V Built-in Resistor
3	24V Built-in Resistor

● FILTER COLOR

1	Red	Full Face : Put color no. into the frame 1
2	Green	2-Split Face : Put color no. into the frame 1, 2
※ 3	Yellow	3-Split Face : Put color no. into the frame 1, 2, 3
4	Milk-White	4-Split Face : Put color no. into the frame 1, 2, 3, 4
X		Without Filter

● Frange Color

K	Black
H	Gray
X	Without Frange

Note:

※ In case of Guard Cover use, please select type of "without frange"

● LED COLOR

70	Red	Full Face : Put color no. into the frame 1
80	Green	2-Split Face : Put color no. into the frame 1, 2
90	Yellow	3-Split Face : Put color no. into the frame 1, 2, 3
※ 90	Yellow	4-Split Face : Put color no. into the frame 1, 2, 3, 4

※ Please be noted that the color of "Yellow" for LED, Filter is actually "Orange Yellow" not Lemon Yellow.

◆ Note:

1) In case of Split-Face, LED and Filter color location should be specified as follow:

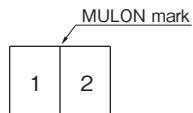
Square

Square 2-Split Face

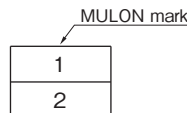


Rectangular

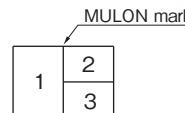
Rect. 2-Split Face (Vert.)



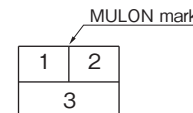
Rect. 2-Split Face (Horiz.)



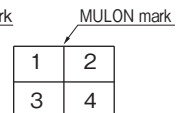
Rect. 3-Split Face (Vert.)



Rect. 3-Split Face (Horiz.)



Rect. 4-Split Face



ORDERING CODE Ordering Individually ([Light Cartridge] , [Housing])

Light Cartridge

WH — [] [] —

● **BUTTON SHAPE**

S	19 Square
W	19×26 Rect.

● **ILLUMINATION TYPE**

1	Full Face Mono color
2	Square 2-Split Face
3	Rect. 2-Split Face (Vert.)
4	Rect. 2-Split Face (Horiz.)
5	Rect. 3-Split Face (Vert.)
6	Rect. 3-Split Face (Horiz.)
7	Rect. 4-Split Face

● **LED COLOR ※1)**

70	Red
80	Green
※ 90	Yellow

Full Face: Put color no. into the frame 1
 2-Split Face: Put color no. into the frame 1, 2
 3-Split Face: Put into color no. into the frame 1, 2, 3
 4-Split Face: Put color color no. into the frame 1, 2, 3, 4

● **SUPPLY VOLTAGE TO LED**

1	5V	Built-in Resistor
2	12V	Built-in Resistor
3	24V	Built-in Resistor

● **FILTER COLOR ※2)**

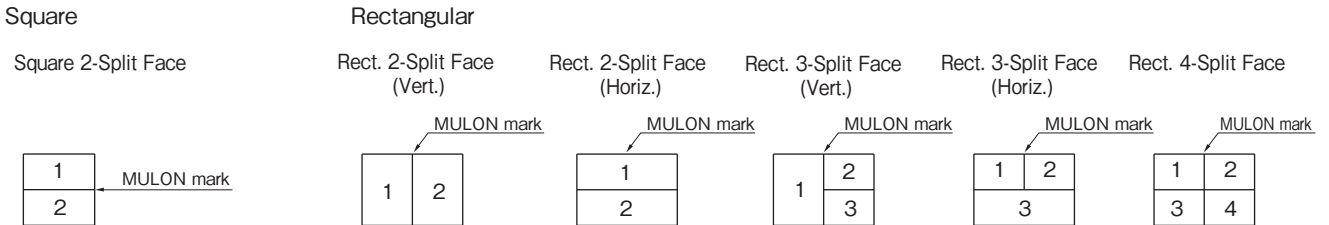
R	Red
G	Green
※ Y	Yellow
M	Milk-White
X	Without Filter

Full Face: Put color no. into the frame 1
 2-Split Face: Put color no. into the frame 1, 2
 3-Split Face: Put into color no. into the frame 1, 2, 3
 4-Split Face: Put color no. into the frame 1, 2, 3, 4

※ Please be noted that the color of "Yellow" for LED, Filter is actually "Orange Yellow" not Lemon Yellow.

2,3,4-Split Face :Simultaneous lighting is possible except all green LED type with 12V or 24V.

Note: In case of Split-Face, LED and Filter color location should be specified as follow:



Housing

WH [] [] [] [] — S

● **OPERATION**

M	Momentary
A	Alternate

● **CONTACT**

1	SPDT Silver
2	DPDT Silver
5	SPDT Crossbar
6	DPDT Crossbar
7	TPDT Silver (Rectangular Only)
9	TPDT Crossbar (Rectangular Only)

● **Frangle Color**

K	Black
G	Gray
X	Without Frangle

Note:
 ※ In case of Guard Cover use, please select type of "without frangle"

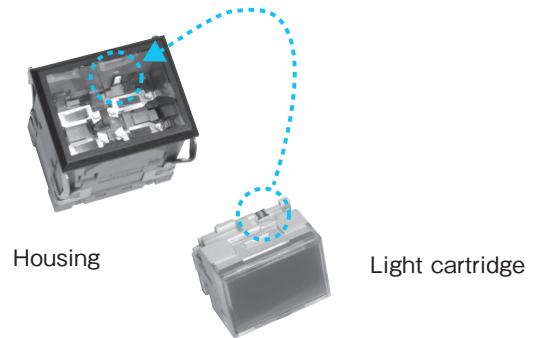
● **Frangle Shape**

S	19 Square
W	19×26Rect.

ASSEMBLY & DISASSEMBLY

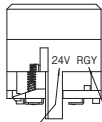
1. Fitting Light cartridge

Insert Light cartridge into Housing with correct position of metal fittings as shown.



2. Indicating Supply voltage to LED and LED color

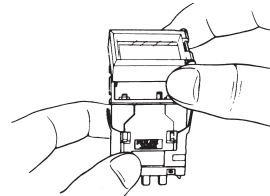
19 square
19×26 Rect.



Supply voltage to LED LED Color

DC voltage supply rating to LED is shown on the side of Light cartridge.

4. Installing Guard Cover (Square / Rect.)

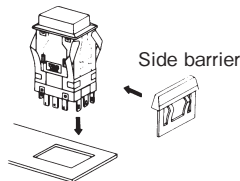


Attach the Guard Cover, aligning the groove on the Guard Cover with the protruding portions on the Housing. Fit the Guard Cover as shown until click.

3. Installing Barriers (Square / Rect.)

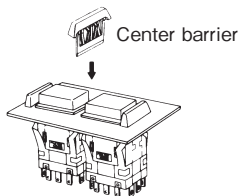
① Switch(Independent mounting)

Set side barrier on the side of switch Housing, then insert it into the panel.



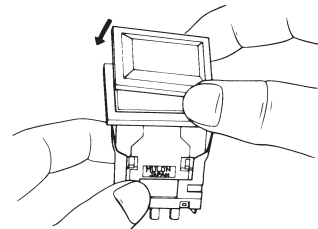
② Switches (Serial mounting)

Insert switches with side barrier into the panel, then install center barrier between switches.



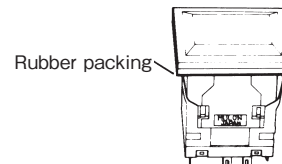
5. Installing Dust-Proof Cover (Square / Rect.)

(1) Dust-Proof Cover



Put the switch through the frame cover, and mount on panel. Afterwards install soft cover accordingly.

(2) Oli and Water-Proof Cover



In case of Oil and Water-tight use, please apply rubber packing between panel and frame cover.